

CURRENT 3.0 Ampere  
 VOLTAGE RANG 50 to 1000 Volts

RS3AF THRU RS3MF

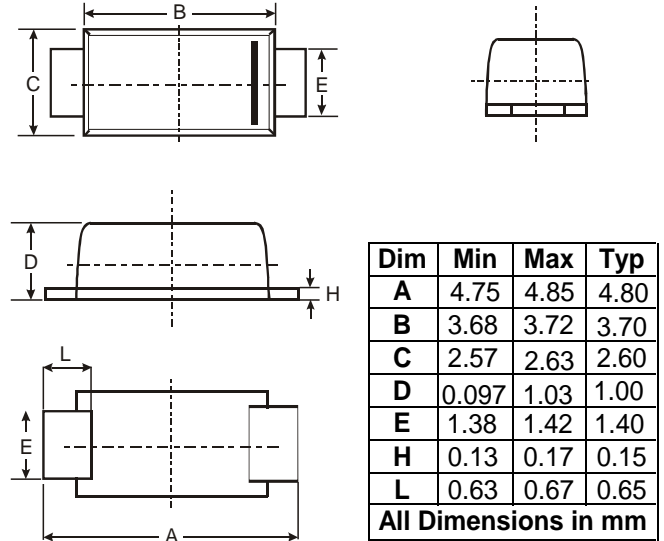
FEATURES

- Glass Passivated chip junction
- Built-in strain relief
- Fast switching speed for high efficiency
- High temperature soldering guaranteed: 250 /10 second at terminals

MECHANICAL DATA

- Case: Transfer molded plastic
- Epoxy: UL 94V-0 rate flame retardant
- Lead: Solder plated, solderable per MIL-STD-202E method208C
- Polarity: Color band denotes cathode end
- Weight: 0.0014 ounce, 0.062 gram

SMAF



MAXIMUM RATINGS AND ELECTRICAL CHARACTERISTICS

- Ratings at 25 ambient temperature unless otherwise specified.
- Single phase, half wave, 60Hz, resistive or inductive load.
- For capacitive load derate current by 20%.

	SYMBOLS	RS3A	RS3B	RS3D	RS3G	RS3J	RS3K	RS3M	UNIT
Maximum Repetitive Peak Reverse Voltage	$V_{RRM}$	50	100	200	400	600	800	1000	Volts
Maximum RMS Voltage	$V_{RMS}$	35	70	140	280	420	560	700	Volts
Maximum DC Blocking Voltage	$V_{DC}$	50	100	200	400	600	800	1000	Volts
Maximum Average Forward Rectified Current at $T_L=100$	$I_{(AV)}$	3.0							Amps
Peak Forward Surge Current 8.3ms single half sine wave superimposed on rated load (JEDEC Method)	$I_{FSM}$	100							Amps
Maximum Instantaneous Forward Voltage at 3.0A	$V_F$	1.3							Volts
Maximum DC Reverse Current at rated DC blocking voltage at	$T_A = 25$	10.0							A
	$T_A = 125$	250							
Typical Reverse Recovery Time Test conditions $I_F=0.5A, I_R=1.0A, I_{RR}=0.25A$	$T_{rr}$	150				250	500		ns
Typical Junction Capacitance (NOTE 2)	$C_J$	60							pF
Typical Thermal Resistance (NOTE 1)	$R_{\theta JA}$	50							/W
	$R_{\theta JL}$	15							
Operating Junction Temperature Range	$T_J$	-55 to +150							
Storage Temperature Range	$T_{STG}$	-55 to +150							

Notes:

1. Thermal resistance from Junction to ambient and from junction to lead mounted on PCB with 0.3×0.3" (8.0 × 8.0mm) copper pad areas.
2. Measured at 1.0MHz and applied reverse voltage of 4.0 Volts

CURRENT 3.0 Ampere  
 VOLTAGE RANG 50 to 1000 Volts

**RS3AF THRU RS3MF**

RATING AND CHARACTERISTIC CURVES RS3A Thru RS3M

FIG.1-FORWARD CURRENT DERATING CURVE

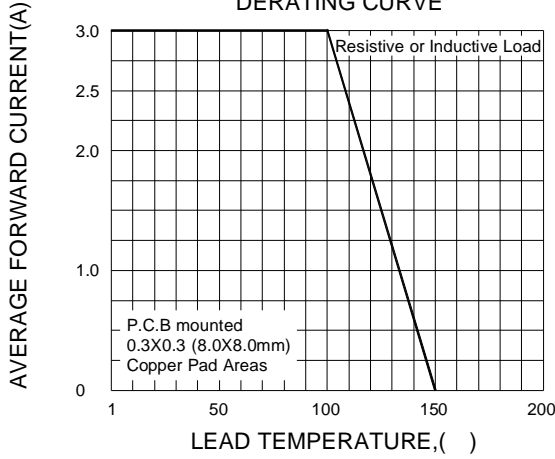


FIG.2-MAXIMUM NON-REPETITIVE PEAK FORWARD SURGE CURRENT

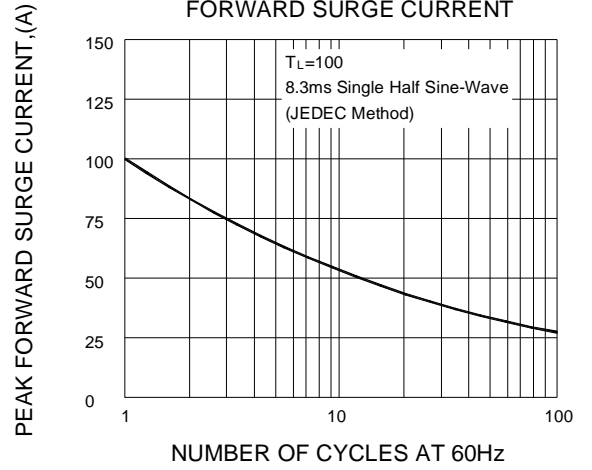


FIG.3-TYPICAL INSTANTANEOUS FORWARD CHARACTERISTICS

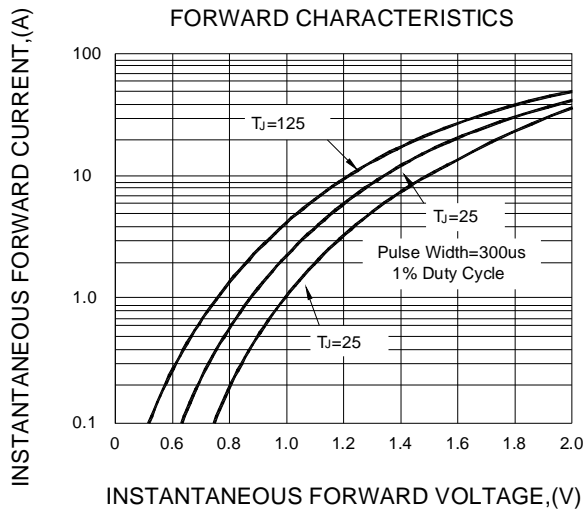


FIG.4-TYPICAL REVERSE CHARACTERISTICS

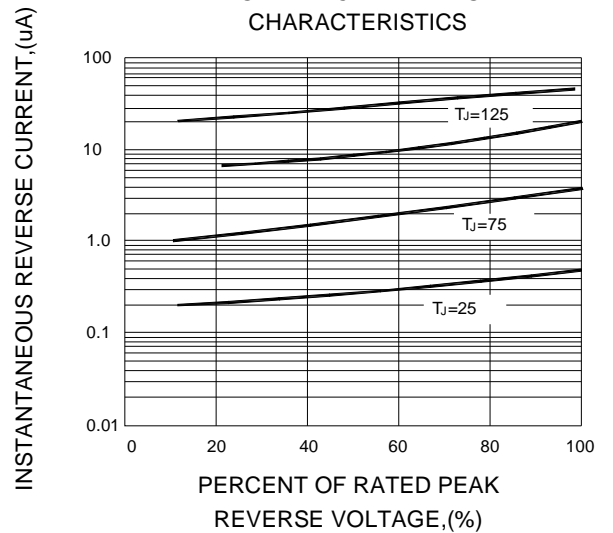


FIG.5-TYPICAL JUNCTION CAPACITANCE

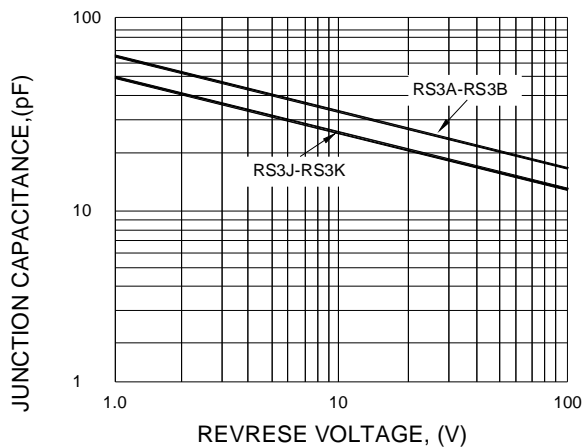


FIG.6-TRANSIENT THERMAL IMPEDANCE

